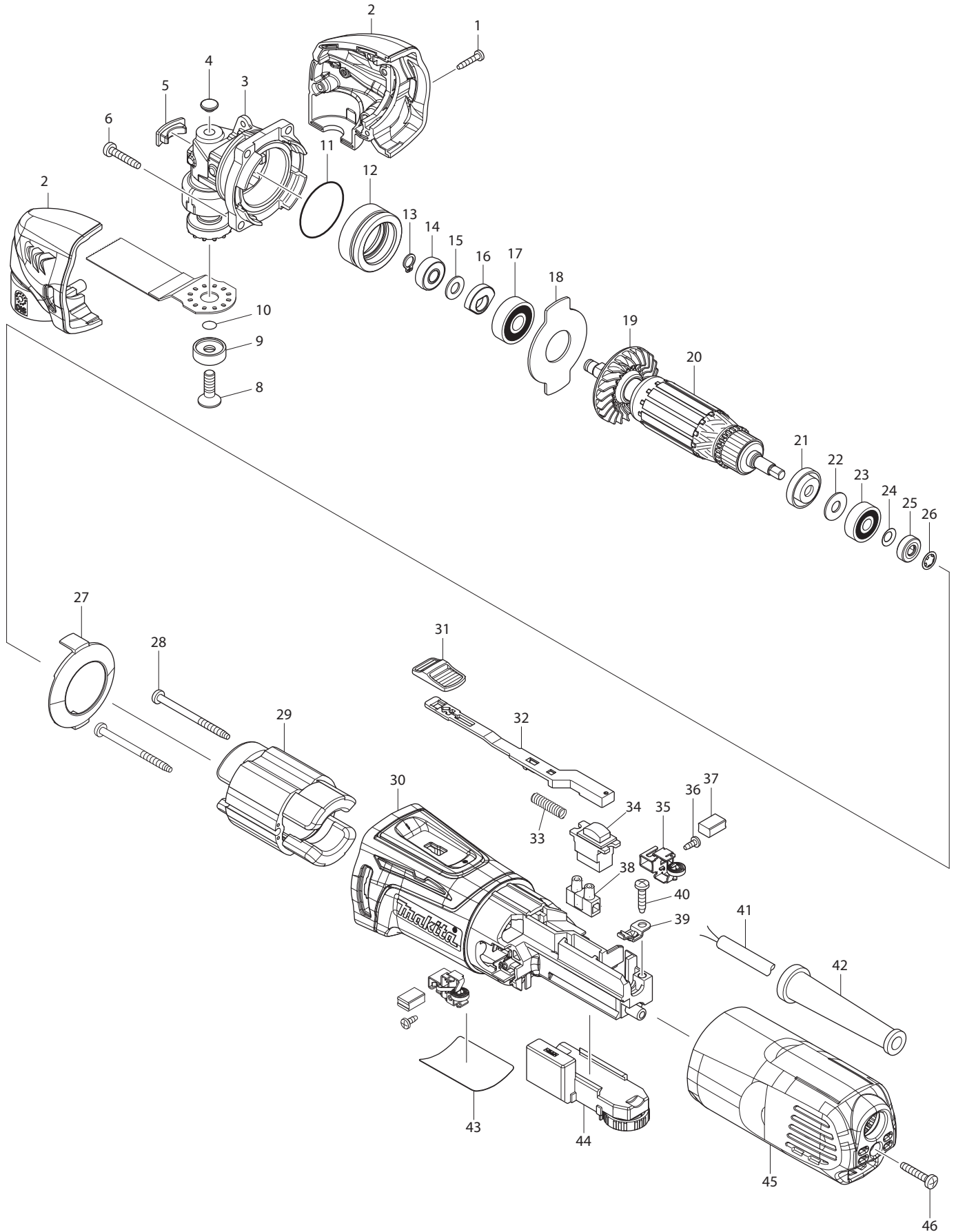




04 - 2012
TM3000CX1
MULTI-TOOL W/ACCESSORY KIT



Item No.	Type	Sub	Part No.	Description	Qty	Unit
001			266429-2	TAPPING SCREW 3X16	3	PC.
002			187373-9	HEAD COVER SET	1	PC.
003	3		142399-8	CRANK HOUSING COMPLETE	1	PC.
004			424511-5	CRANK HOUSING CAP B	1	PC.
005			424510-7	CRANK HOUSING CAP A	1	PC.
006			266424-2	TAPPING SCREW 4X20	4	PC.
008	2		265674-6	* HEX. BOLT M6X14	1	PC.
011			213479-8	O RING 33	1	PC.
012			326199-6	BEARING BOX	1	PC.
013			961003-8	RETAINING RING S-7	1	PC.
014			211392-4	SPHERE BEARING 706	1	PC.
015			253133-2	FLAT WASHER 7	1	PC.
016			313245-4	BALANCER	1	PC.
017	2		210194-5	BALL BEARING 629DDW	1	PC.
018			285857-2	BEARING RETAINNER	1	PC.
019			240140-4	FAN 46	1	PC.
020	1		517681-8	ARMATURE ASSEMBLY 115V	1	PC.
		INC.		Item No. 19,21-26		PC.
	2		510479-2	ARMATURE ASSEMBLY 115V	1	PC.
		INC.		Item No. 19,21-26		PC.
021			681636-0	INSULATION WASHER	1	PC.
022			267426-1	FLAT WASHER 7	1	PC.
023	2		210193-7	BALL BEARING 627DDW	1	PC.
024			267756-0	WAVE WASHER 6	1	PC.
025	2		688117-5	MAGNET SLEEVE	1	PC.
026			259039-2	SELF LOCK 6	1	PC.
027			453828-9	BAFFLE PLATE	1	PC.
028			266415-3	TAPPING SCREW 4X55	2	PC.
029			623556-2	FIELD 115V	1	PC.
030			453823-9	MOTOR HOUSING	1	PC.
031			453761-5	SWITCH KNOB	1	PC.
032			453825-5	SWITCH LEVER	1	PC.
033			234263-8	COMPRESSION SPRING 5	1	PC.
034			651609-7	SWITCH SS106A-7-1	1	PC.
035			643839-4	BRUSH HOLDER 6X9	2	PC.
036			266492-5	TAPPING SCREW 3X8	2	PC.
037			195025-8	CARBON BRUSH CB-458 2PCS/SET W/ORIGIN	1	SET
038			654532-5	TERMINAL BLOCK 1P	1	PC.
039			687681-3	STRAIN RELIEF	1	PC.
040			266326-2	TAPPING SCREW 4X18	1	PC.
041			664891-9	CORD WITH PLUG 2P-18-2.5M SJ	1	PC.
042			682569-2	CORD GUARD 8-85	1	PC.
043			897303-9	NAME PLATE F/TM3000C	1	PC.
044			620147-0	CONTROLLER	1	PC.
045			453824-7	REAR COVER	1	PC.
046			266424-2	TAPPING SCREW 4X20	1	PC.
C01			873404-7	CARTON FOR TM3000CX1	1	PC.

ACCESSORIES

- See catalogue or visit www.makita.ca for more optional accessories -

A01			410047-0	WRENCH HOLDER 5.6	1	PC.
A02			783203-8	HEX. WRENCH 5	1	PC.
A04	2		821596-6	PLASTIC CARRYING CASE	1	PC.
		INC.	162315-4	LATCH	2	PC.
		INC.	452137-3	HANDLE	1	PC.

Item No.	Type	Sub	Part No.	Description	Qty	Unit
A05			196271-6	ADAPTER A F/OTHER BRAND ACCESSORY - PKG W/ORIGIN	1	PC.
A06			313249-6	ADAPTER C F/DREMEL ACCESSORY - BULK	1	PC.
A07	1		B-21325	SEGMENT SAW BLADE 3-1/2"	1	PC.
	2		B-67016	SAW BLADE, SEG BIM 3-3/8"	1	PC.
A09	2		B-46202	SANDING PAD	1	PC.
	3		B-67169	STARLOCK SANDING PAD 94 TMA078	1	PC.
A10			821538-0	PLASTIC ACCESSORY TOOL BOX	1	PC.
A11			196022-7	DUST EXTRACTOR ATTACHMENT SET (See Instruction Manual P	1	PC.
		INC.	443177-2	FELT RING 37	1	PC.
		INC.	453829-7	DUST ATTACHMENT	1	PC.
		INC.	453832-8	JOINT	1	PC.
		INC.	453834-4	DUST NOZZLE A	1	PC.
		INC.	453835-2	NOZZLE BAND A	1	PC.
A12	1		B-21272	SAW BLADE, SEGMENT BIM 3-1/4"	1	PC.
	2		B-67125	SAW BLADE, SEG BIM-TIN 3-3/8"	1	PC.
A13			B-21294	SAW BLADE, ROUND BIM, 3-1/4"	1	PC.
A14			B-21319	SAW BLADE, SEGMENT BIM 4"	1	PC.
A15	1		B-21331	SAW BLADE, SEGMENT BIM 3-1/2"	1	PC.
	2		B-67044	SAW BLADE, SEG HCS 3-3/8"	1	PC.
A16	1		B-21347	SAW BLADE, PLUNGE CUT BIM 2-1/2"	1	PC.
	2		B-67038	SAW BLADE, PLUNGE BIM 2-1/2"	1	PC.
A17	2		B-67072	SAW BLADE, PLUNGE BIM 1-1/4"	1	PC.
A18	2		B-67066	SAW BLADE, PLUNGE HCS 1-1/4"	1	PC.
A19			B-21397	SAW BLADE, PLUNGE CUT HCS 3/4"	1	PC.
A22	1		B-21434	SAW BLADE, PLUNGE CUT BIM 3/8"	1	PC.
	2		B-64917	SAW BLADE, PLUNGE CUT BIM 3/8"	1	PC.
A23			B-21440	SCRAPER, RIGID HCS 2"	1	PC.
A24	1		B-21456	SCRAPER, FLEXIBLE HCS 2"	1	PC.
	2		B-67131	SCRAPER BLADE, HCS 2"	1	PC.
A25			B-21462	SEG BLADE, SERRATED HCS 4"	1	PC.
A26			B-21478	GENERAL JOINT CUTTER, HCS, 2"	1	PC.
A27			B-21484	HM REMOVER, 40G, 2-1/2"	1	PC.
A28	1		B-21490	SAW BLADE, HM SEG 3-1/2"x1/8"	1	PC.
	2		B-67147	SAW BLADE, SEG 30G HM 3-3/8"	1	PC.
A29			B-21509	SAW BLADE, HM SEG 2-1/2"x1/16"	1	PC.
A30	1		B-21515	SANDING PLATE, HM 3"	1	PC.
	2		B-67153	SANDING PLATE, 20G HM 3"	1	PC.
A31			B-21521	SAW BLADE, DIAMOND SEG 3-1/2"x1/8"	1	PC.
A32			B-21559	ABR PAPER D.RED ASSORT 10PK	1	PK.
A33			B-21565	ABRASIVE PAPER DELTARED LONG RED 60G-10PK	1	PK.
A34			B-21571	ABRASIVE PAPER DELTARED LONG RED 80G-10PK	1	PK.
A35			B-21587	ABRASIVE PAPER DELTARED LONG RED 100G-10PK	1	PK.
A36			B-21593	ABRASIVE PAPER DELTARED LONG RED 120G-10PK	1	PK.
A37			B-21602	ABRASIVE PAPER DELTARED LONG RED 180G-10PK	1	PK.
A38			B-22931	ABRASIVE PAPER DELTARED LONG RED 240G-10PK	1	PK.
A39			B-21674	ABRASIVE PAPER DELTARED LONG WHITE ASSORT 10PK	1	PK.
A40			B-21680	ABRASIVE PAPER DELTARED LONG WHITE 60G-10PK	1	PK.
A42			B-21705	ABRASIVE PAPER DELTARED LONG WHITE 100G-10PK	1	PK.
A43			B-22969	ABRASIVE PAPER DELTARED LONG WHITE 120G-10PK	1	PK.
A44			B-21711	ABRASIVE PAPER DELTARED LONG WHITE 240G-10PK	1	PK.
A45			B-21727	ABRASIVE PAPER DELTARED LONG WHITE 320G-10PK	1	PK.
A46			B-21733	ABRASIVE PAPER DELTARED LONG BLACK ASSORT 10PK	1	PK.
A47			B-21749	ABRASIVE PAPER DELTARED LONG BLACK 120G-10PK	1	PK.
A48			B-21755	ABRASIVE PAPER DELTARED LONG BLACK 240G-10PK	1	PK.
A49			B-21761	ABRASIVE PAPER DELTARED LONG BLACK 400G-10PK	1	PK.

Item No.	Type	Sub	Part No.	Description	Qty	Unit
A50			B-21777	ABRASIVE PAPER DELTARED LONG BLACK 600G-10PK	1	PK.
A51			B-21783	ABRASIVE PAPER DELTARED LONG BLACK 1200G-10PK	1	PK.
A52			B-21799	FLEECE DELTA MEDIUM 100	1	PC.
A53			B-21808	FLEECE DELTA COARSE 280	1	PC.
A54			B-21814	FLEECE DELTA W/O GRIT	1	PC.
A55			B-21820	HARD POLISH FELT DELTA 94MM	1	PC.
A58			B-34827	KNIFE BLADE, SEG BIM 4"	1	PC.
A59			B-50712	STRAIGHT JOINT CUTTER HCS 1-1/4" TMA044	1	PC.

Service Changes

1. Changes of Holder Bolt and HSCH Screw

(T/l# C5179)

Item No.	Description	Type 1	Type 2
8	Screw / Bolt	266783-4	265674-6
9	Outer Flange	224455-7	----
10	O Ring 5	213021-5	----

Above parts are interchangeable as a set